

## Safety

BRKT-POLE-S and BRKT-POLE-L support a working load limit of 34.1 kg (75 lb) at a minimum structural safety factor of 8:1 when used as intended.

The safety factor is the ratio of the **ultimate break strength** divided by the **working load limit**. The ultimate break strength represents the force at which a part will structurally fail. The working load limit is the maximum load that the user shall apply. The safety factor provides a margin of safety above the working load limit to accommodate normal dynamic loading and normal wear.

When loudspeaker systems are suspended using BRKT-POLE-S or BRKT-POLE-L as illustrated in this manual, the bracket will be within the working load limit of both the loudspeaker systems and the mounting accessories, and a safety factor of at least 8:1 will be maintained.

The use of mounting configurations other than recommended by Electro-Voice in this manual are at the risk of the user.

### Warning!

Suspending any object is potentially dangerous and should only be attempted by individuals who have a thorough knowledge of the techniques and regulations of suspending objects overhead. Electro-Voice strongly recommends that loudspeakers be suspended taking into account all current national, federal, state, and local laws and regulations. It is the responsibility of the installer to ensure all loudspeakers are safely installed in accordance with all such requirements.



When loudspeakers are suspended, Electro-Voice strongly recommends the system be inspected at least once per year or as laws and regulations require. If any sign of weakness or damage is detected, remedial action should be taken immediately. The user is responsible for making sure the wall, ceiling, or structure is capable of supporting all objects suspended overhead. Any hardware used to suspend a loudspeaker not associated with Electro-Voice is the responsibility of others.

Prior to use, inspect the suspension points and associated hardware for any cracks, deformations, broken welds, corrosion, missing or damaged components which could reduce the suspension points strength. Replace any damaged hardware. Never exceed the limitations or maximum recommended load intended for the suspension points. As an added safety measure, it is suggested the user install an extra suspension point back to the building structural supports. This redundant safety point should have as little slack as possible (less than one inch is preferable). Prior to each use, inspect the loudspeaker enclosures for any cracks, deformations, missing or damaged components, which could reduce enclosure strength. Replace any loudspeaker systems that are damaged or missing hardware.



### Warning!

BRKT-POLE-S and BRKT-POLE-L are not designed for direct exposure to rain and/or outdoor environments.

## System overview

Thank you for choosing this pole mount bracket accessory. This manual describes how to install various full-range loudspeaker models on BRKT-POLE-S and BRKT-POLE-L pole mount brackets.

### Parts included

Make sure that all parts are included and not damaged. If the packaging or any parts are damaged, contact your shipper. If any parts are missing, contact your Sales or Customer Service Representative.

Quantity	Component
1	Pole mount bracket
2	Wall mounting spacer

Quantity	Component
1	Quick installation guide

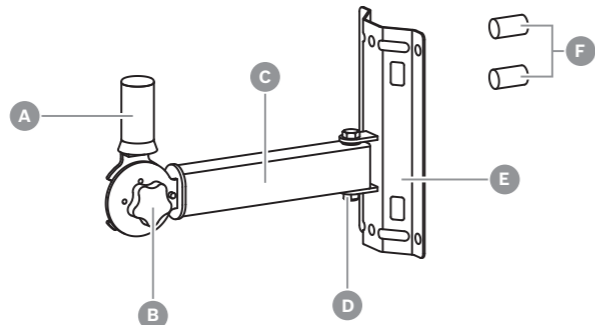
### Compatible speakers

BRKT-POLE-S is suitable for 8- and 10-inch speakers and some 12-inch speakers. BRKT-POLE-L is suitable for speakers up to 15 inches.

Loudspeaker model	BRKT-POLE-S	BRKT-POLE-L
ZLX 8" models	✓	✓
ZLX 12" models	-	✓
ZLX 15" models	-	✓
EKX 12" models	✓ <sup>1</sup>	✓
EKX 15" models	-	✓
ELX 12" models	✓ <sup>1</sup>	✓
ELX 15" models	-	✓
ELX200 10" models	✓	✓
ELX200 12" models	-	✓
ELX200 15" models	-	✓
ETX-10P	✓ <sup>1</sup>	✓
ETX-12P	✓ <sup>1</sup>	✓
ETX-15P	-	✓
EVERSE 8	✓	✓
EVERSE 12	✓ <sup>1</sup>	✓
PX1122M	✓ <sup>1</sup>	✓
PX1152M	-	✓
PXM-12MP	-	✓ <sup>1</sup>
QRx 112/75	-	✓
QRx 115/75	-	✓ <sup>1</sup>
SX 12" models	✓	✓
TX1122	-	✓
TX1152	-	✓
ZX1 , ZXA1	✓	✓
ZX3	-	✓
ZX4 , ZX5 , ZXA5	-	✓

<sup>1</sup> Limited horizontal angle and up tilt adjustability

### Bracket parts



A	Pole mount	B	Vertical tilt hand screw
C	Swivel arm	D	Swivel arm nut
E	Base plate	F	Wall mounting spacers

### Features

The pole mount bracket allows the loudspeaker angle to be adjusted as needed. The options are:

- Rotating to the left or right from the pole mount vertical axis.
- Swiveling (panning) to the left or right from the bracket swivel arm vertical axis.

- Tilting upward or downward from the bracket arm pivot axis.
- Combining any of the three adjustment points.

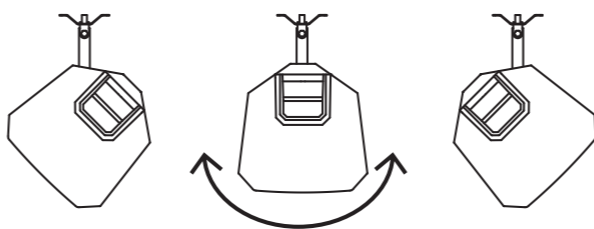


Fig. 1: Rotating to the left or right from the pole mount vertical axis

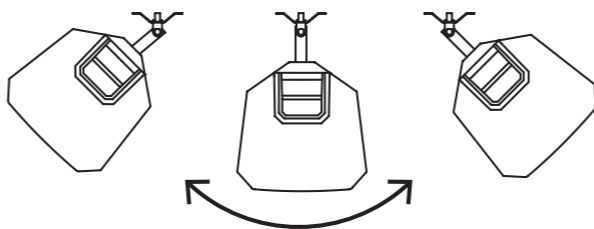


Fig. 2: Swiveling (panning) to the left or right from the bracket swivel arm vertical axis

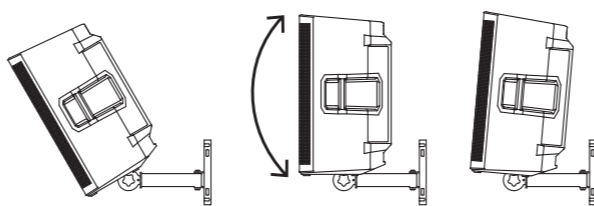


Fig. 3: Tilting upward or downward from the bracket arm pivot axis

The maximum downward tilt of the pole mount bracket is 30 degrees. The maximum upward tilt is 5 degrees.

## Installation



### Caution!

Due to the weight of the Electro-Voice loudspeaker system, it is imperative that the bracket is properly secured to the wall or pole. The choice of fastener (not supplied) will be determined by the material and construction of the mounting surface. The user is responsible to ensure the mounting surface and fasteners are capable of supporting the weight of the loudspeaker.

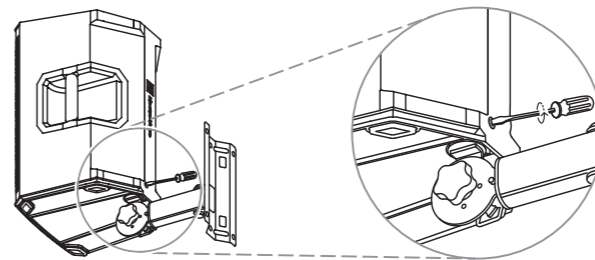


### Caution!

We recommend that two or more persons lift and place heavier loudspeakers. Single person lift and placement of heavier loudspeakers could cause injury.

### Pole mount bracket mounting options

	When mounting the loudspeaker using the different mounting options listed in this manual, make sure all the hardware used is able to support a working load limit of 34.1 kg. (75 lb). Refer to <i>Safety</i> for additional details.
	When mounting the bracket to a pole or post, make sure the pole or post is fixed, secure and able to support the working load limit. Never mount the bracket directly to a tripod speaker stand as this will cause the stand to tilt over and cause damage and/or injury.
	To prevent unintentional removal of loudspeaker from the bracket, make sure the set screw or thumb screw is securely tightened, if available. Mount the bracket in a location that is not easily accessible to prevent any unintentional or accidental removal of the loudspeaker.



### Mounting to a wall

When mounting the bracket directly to a wall, make sure to use the two wall mounting spacers (A) supplied. The wall mounting spacers prevent the bracket from bending or warping when driving the screws to the wall. The bracket accepts fastener diameters up to 3/8 inches or M10.



### Warning!

Mount the pole mount bracket directly to a wall stud. Failure to do so can cause damage and/or injury.



### Warning!

Do not mount the pole mount bracket to a ceiling, floor or any surface that is not vertical. Do not mount the bracket sideways or upside down.

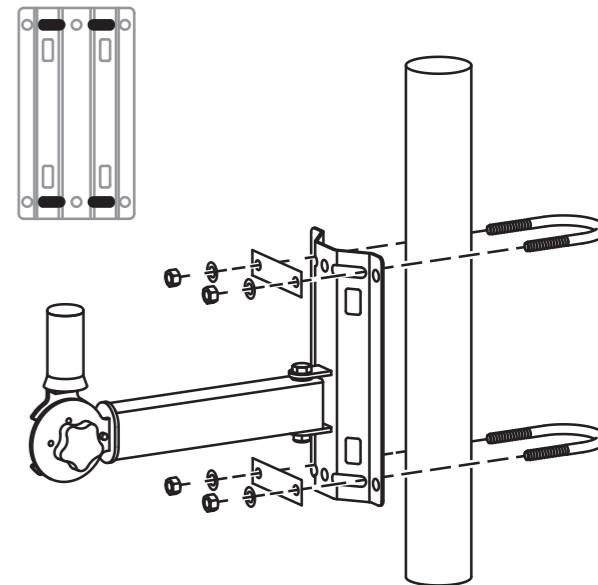
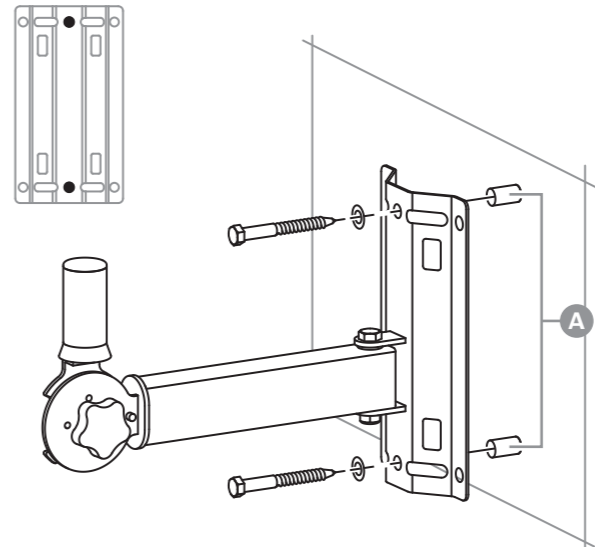


Fig. 4: Using U-Bolts with minimum 1-5/8-inch and maximum 2-7/8-inch bolt centers

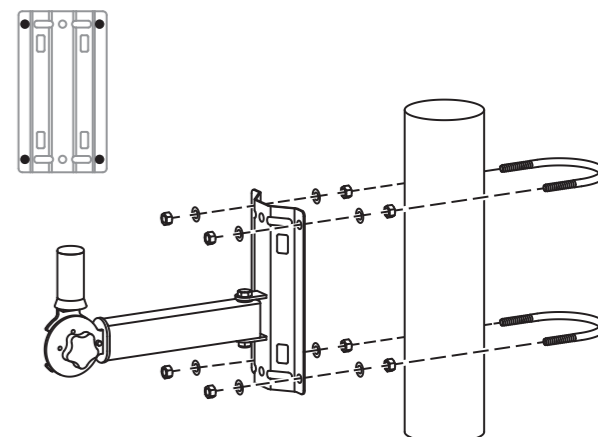


Fig. 5: Using U-Bolts with 4-1/2-inch bolt centers (maximum bolt diameter 3/8-inch or M10)

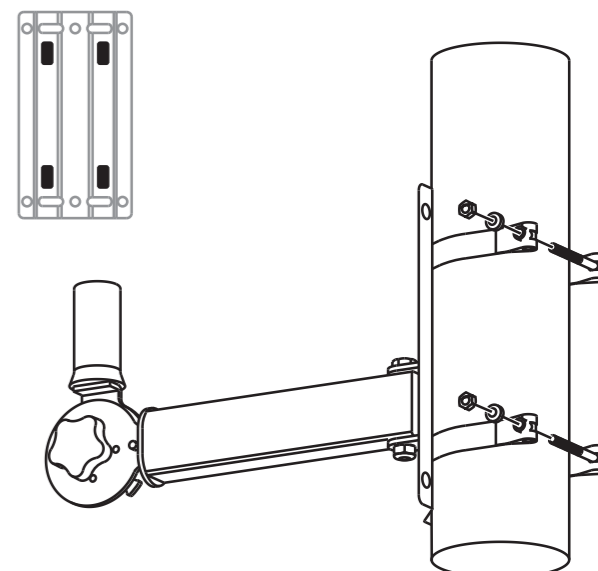


Fig. 6: Using tube clamps (maximum strap width 3/4" or 20 mm)

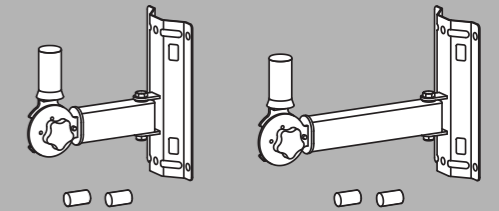


### Notice!

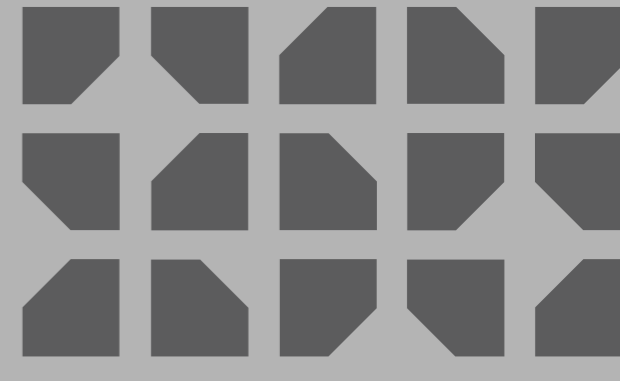
There are many types of metal tube clamps. Depending on the type chosen, make sure the clamp load rating can handle the working load limit times a safety factor of 8. Refer to *Safety* for additional details.

**Full-Range Loudspeaker Accessories**

BRKT-POLE-S, BRKT-POLE-L



Quick installation guide



**Bosch Security Systems, LLC**

130 Perinton Parkway  
Fairport NY 14450  
USA

[www.electrovoice.com](http://www.electrovoice.com)

© Bosch Security Systems, LLC, 2023

**EU importer:**

**Bosch Sicherheitssysteme GmbH**

Robert-Bosch-Platz 1  
70839 Gerlingen  
Germany

© Bosch Sicherheitssysteme GmbH, 2023



**Dimensions**

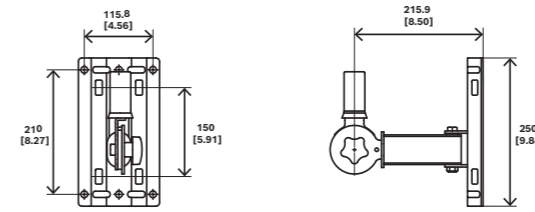
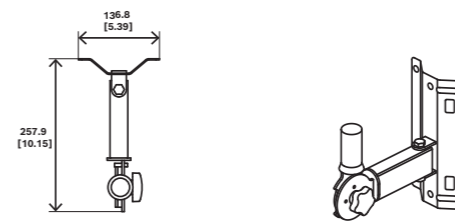


Fig. 11: BRKT-POLE-S

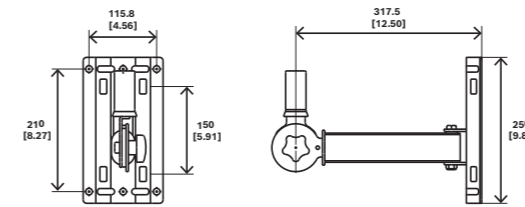
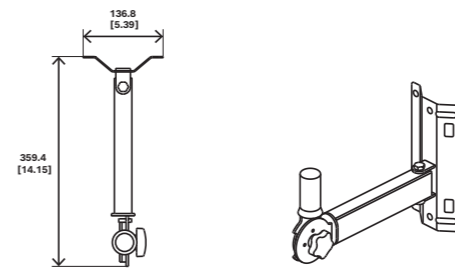


Fig. 12: BRKT-POLE-L

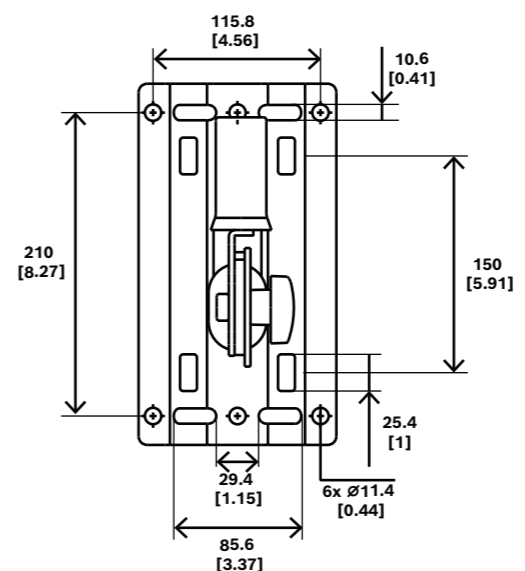
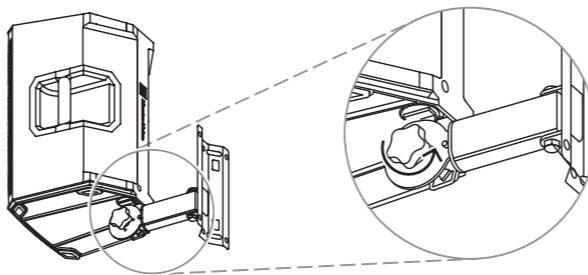


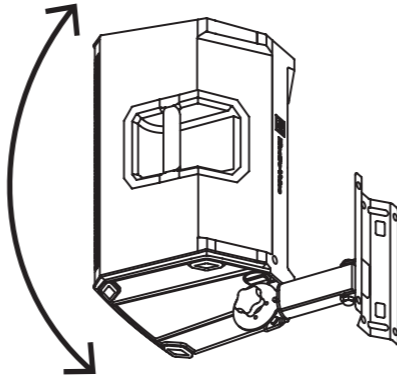
Fig. 13: Bracket slot dimensions

**To adjust the vertical (tilt) angle:**

1. Loosen the vertical tilt hand screw by hand.



2. While supporting the loudspeaker, move the loudspeaker up or down to set to the required vertical angle. Support the loudspeaker until the vertical hand screw is tightened and the loudspeaker is fully secured.



3. Tighten the vertical hand screw until the loudspeaker is locked in place.

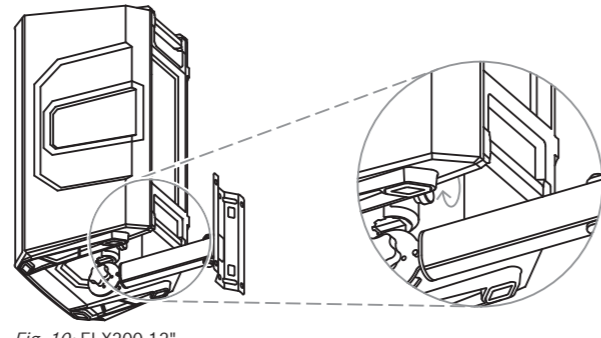
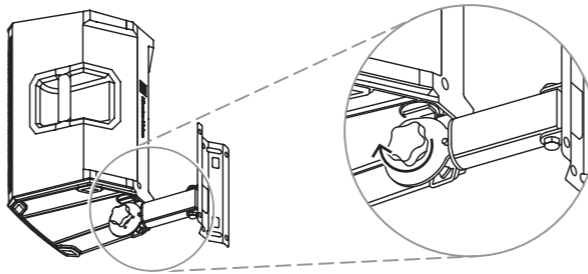
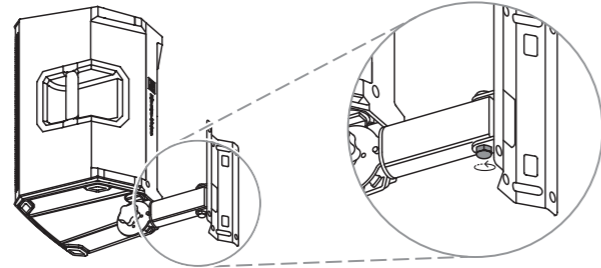


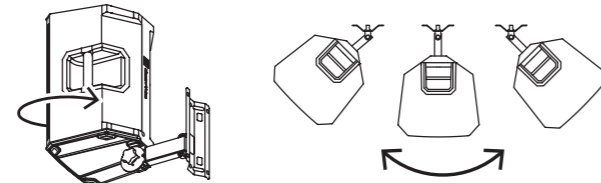
Fig. 10: ELX200 12"

**To adjust the swivel (pan) angle:**

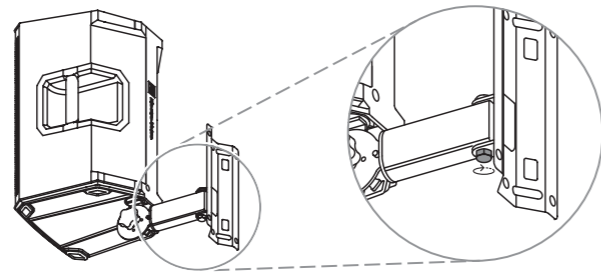
1. Loosen the bracket swivel arm nut using 17 mm socket or adjustable wrenches.



2. Move the swivel arm to the left or right to set the loudspeaker to the required angle.
3. Allow enough space between the wall and the loudspeaker for cable connections.



4. Tighten the bracket swivel arm nut using 17 mm socket or adjustable wrenches.



**Technical data**

	BRKT-POLE-S Wall mount bracket 8",10" 2-way speaker	BRKT-POLE-L Wall mount bracket 12",15" 2-way speaker
Color	Black	Black
Dimensions (H x W x D) (mm)	250 mm x 115.8 mm x 215.9 mm	250 mm x 115.8 mm x 317.5 mm
Dimensions (H x W x D) (in)	9.84 in x 4.56 in x 8.50 in	9.84 in x 4.56 in x 12.5 in
Shipping dimensions (H x W x D) (mm)	295 mm x 265 mm x 85 mm	385 mm x 265 mm x 85 mm
Shipping dimensions (H x W x D) (in)	11.61 in x 10.43 in x 3.35 in	15.16 in x 10.43 in x 3.35 in
Working load limit (kg) <sup>1</sup>	34.1 kg	34.1 kg
Working load limit (lb) <sup>1</sup>	75 lb	75 lb
Weight (kg)	1.78 kg	2.02 kg
Weight (lb)	3.92 lb	4.45 lb
Shipping weight (kg)	1.94 kg	2.22 kg
Shipping weight (lb)	4.28 lb	4.89 lb

<sup>1</sup> Maximum speaker weight than can be placed on the bracket

**Installing the loudspeaker on the pole mount bracket**

To install models **with a set screw**:

1. Loosen the set screw without completely removing it. The loudspeaker easily slides onto the pole mount.

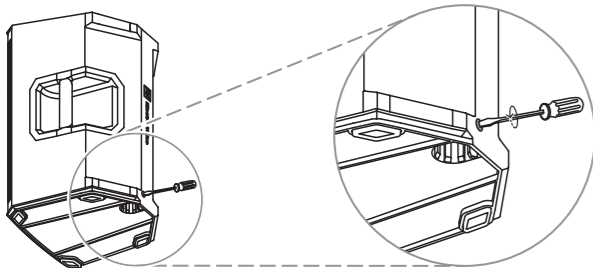


Fig. 7: ZLX-8-G2

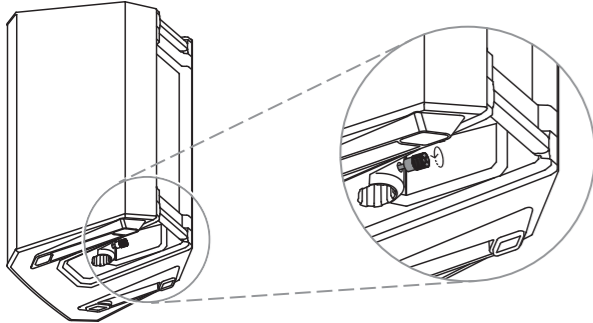
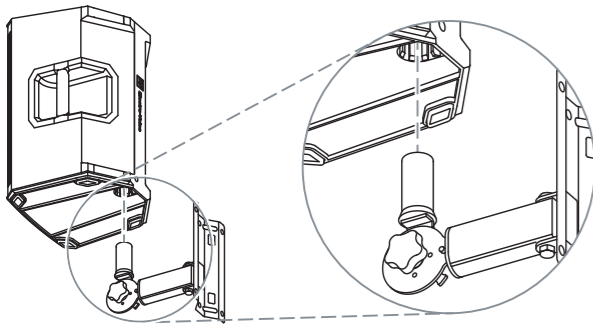
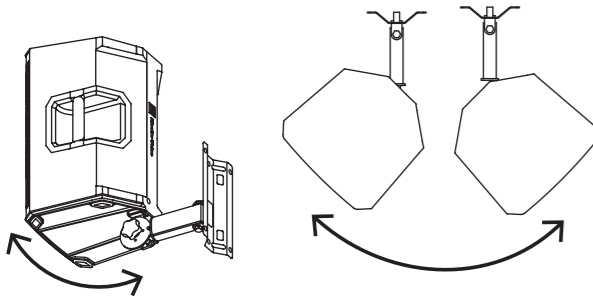


Fig. 8: ZLX-12-G2

2. With the bracket pole mount locked in a vertical position, align the pole cup of the loudspeaker with the bracket pole mount.



3. Slowly slide the loudspeaker onto the pole mount.
4. Rotate the loudspeaker to set to the required rotation angle.



5. Tighten the set screw at the back of the enclosure, if available, without over tightening it.

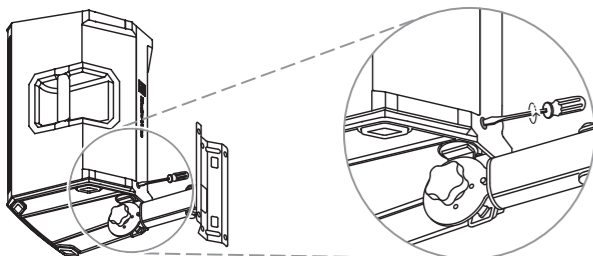


Fig. 9: ZLX-8-G2