



## Key Features:

- **Lightweight – just 0.9 ounces (25 grams), less cable**
- **Behind-the-head headband is comfortable and stays in place**
- **Cardioid pickup pattern ensures good gain before feedback**
- **Frequency response and proximity effect similar to handheld vocal mics**



## General Description:

The Electro-Voice HM2 headworn microphone is the ideal microphone for anyone who requires high-quality vocals in a hands-free application. The HM2 is perfect for use by lead vocalists, singing instrumentalists, dancers, aerobic instructors and other presenters.

The HM2 has a miniature electret condenser element designed with a cardioid polar pattern, which attenuates background noises such as sound from nearby floor monitors, on-stage musical instruments and crowd noise. The furnished open-pore windscreens slip over the microphone element to reduce wind noise and minimize P-popping – the excessive explosive breath noise caused by overemphasized “p” and “t” sounds.

The Electro-Voice HM2 headworn microphone employs a comfortable and inconspicuous behind-the-head headband and flexible boom arm in an attractive Nonreflective black matte finish. The flexible boom, which descends from the right of the headband, is enclosed with protective shrink tubing to shield the boom arm from deterioration and to prevent the flexible tube from catching on facial hair. The facial features of the performer or speaker will not be obstructed due to the HM2’s unobtrusive design. The headband and microphone boom adjust to fit any performer or speaker.

The HM2 is designed to have a frequency response similar to a handheld vocal microphone. The HM2 headset exhibits bass-boost (proximity-effect) warmth that many vocalists prefer. The amount of proximity effect can be adjusted by moving the microphone element closer or farther away from the mouth. The HM2 is permanently connected to a 1.2-m (4 ft) shielded cable terminated with a miniature Switchcraft TA3F connector.

## Technical Specifications:

Generating Element	Electret Condenser
Frequency Response (1/2-in. distance):	30-18,000 Hz
Sensitivity (open circuit voltage at 1000 Hz):	4 mV/Pascal (680Ω load)
Polar Pattern:	Cardioid
Maximum SPL, 1% Distortion:	120 dB
Power Requirements:	1 to 10 V dc
Operating Current at 9 V dc:	500 μA max
Finish:	Nonreflective black
Output Cable:	1.2 m (4 ft) long, 2.5 mm (0.10 in.) diameter; miniature audio cable permanently attached between microphone and connector
Output Connector:	Switchcraft TA4F (pin 1 shield, pin 2 & 4 bias/audio, pin 3 N/C)
Accessories Furnished:	Black windscreens
Optional Accessories:	Replacement windscreen EV part no. 879155
Dimensions, Headband:	140 mm (5.5 in.) nominal at widest point; 160 mm (6 in.) boom arm
Dimensions, Microphone:	29 mm (1.14 in.) long, 18 mm (0.7 in.) wide, 16.8 mm (0.66 in.) deep
Net Weight (less cable and connector):	25 grams (0.9 oz)

## Microphone Placement:

The headband can be worn in several different ways: Over the top of the head. (Some aerobics instructors prefer this because they wear their sweatband perpendicular to the headband.) Behind the back of the neck. (This lets you hide the headset in your hair very easily.)

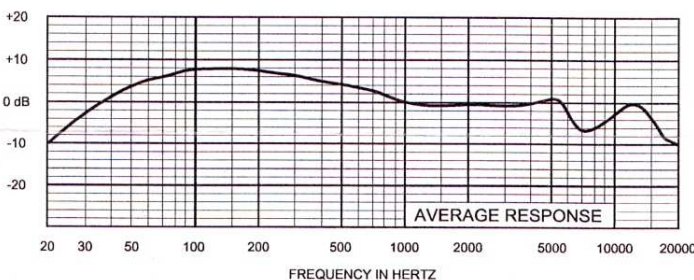
The flexible boom allows adjustment relative to the right corner of your mouth. To find the optimum location of the microphone, perform the following steps during the sound check:

1. Center the microphone element in front of your mouth by bending the flexible boom up or down.
2. If P-popping is detected, bend the flexible boom and move the microphone element further away from your mouth.
3. If the sound is thin and weak, move the microphone element closer to your mouth and try raising or lowering the microphone element.

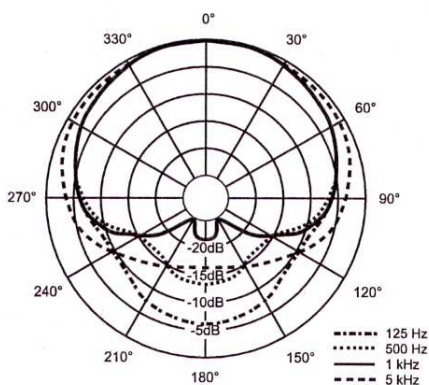
Experiments indicate that the best control of P-popping is to position the microphone element off to the side of the mouth, away from the center.

If distortion or flawed audio is heard, check the overload LED on the transmitter. If the LED is flashing with voice peaks, adjust the transmitter's attenuation control until the overload stops. Also, check the condition of the transmitter's battery and replace if necessary.

## Frequency Response (at 1/2-inch):



## Polar Response:



## Warranty (Limited):

Electro-Voice products are guaranteed against malfunction due to defects in materials or workmanship for a specified period, as noted in the individual product-line statement(s) below, or in the individual product data sheet or owner's manual, beginning with the date of original purchase. If such malfunction occurs during the specified period, the product will be repaired or replaced (at our option) without charge. The product will be returned to the customer prepaid. **Exclusions and Limitations:** The Limited Warranty does not apply to: (a) exterior finish or appearance; (b) certain specific items described in the individual product-line statement(s) below, or in the individual product data sheet or owner's manual; (c) malfunction resulting from use or operation of the product other than as specified in the product data sheet or owner's manual; (d) malfunction resulting from misuse or abuse of the product; or (e) malfunction occurring at any time after repairs have been made to the product by anyone other than Electro-Voice or any of its authorized service representatives. **Obtaining Warranty Service:** To obtain warranty service, a customer must deliver the product, prepaid, to Electro-Voice or any of its authorized service representatives together with proof of purchase of the product in the form of a bill of sale or receipted invoice. A list of authorized service representatives is available from Electro-Voice at 8601 E. Cornhusker Hwy., Lincoln, NE 68507 (402/467-5321 or 800/553-5992 or Fax 402/467-3279) and/or Electro-Voice West, at 8234 Doe Avenue, Visalia, CA 93291 (209/651-7777 or 800/825-1242). **Incidental and Consequential Damages Excluded:** Product repair or replacement and return to the customer are the only remedies provided to the customer. Electro-Voice shall not be liable for any incidental or consequential damages including, without limitation, injury to persons or property or loss of use. Some states do not allow the exclusion or limitation of incidental or consequential damages so the above limitation or exclusion may not apply to you. **Other Rights:** This warranty gives you specific legal rights, and you may also have other rights which vary from state to state.

**Electro-Voice Wireless Systems** are guaranteed against malfunction due to defects in materials or workmanship for a period of one (1) year from the date of original purchase. The Limited Warranty does not extend to cables or cable connectors. Additional details are included in the Uniform Limited Warranty Statement.

Service and repair address for this product: Telex Communications, Inc., 8601 E. Cornhusker Hwy., Lincoln, NE 68507 (402/467-5321 or 800/553-5992 or Fax 402/467-3279).

Specifications subject to change without notice.

**EV Electro-Voice®**

12000 Portland Avenue South, Burnsville, MN 55337  
Phone: 952/884-4051, Fax: 952/884-0043

[www.electrovoice.com](http://www.electrovoice.com)

© Telex Communications, Inc. 6/2007

Part Number 38109-890 Rev C



U.S.A. and Canada only. For customer orders, contact Customer Service at:  
800/392-3497 Fax: 800/955-6831

Europe, Africa, and Middle East only. For customer orders, contact Customer Service at:  
+ 49 9421-706 0 Fax: + 49 9421-706 265

Other International locations. For customer orders, contact Customer Service at:  
+ 1 952 884-4051 Fax: + 1 952 887-9212

For warranty repair or service information, contact the Service Repair department at:  
800/553-5992

For technical assistance, contact Technical Support at: 866/78AUDIO

Specifications subject to change without notice.